

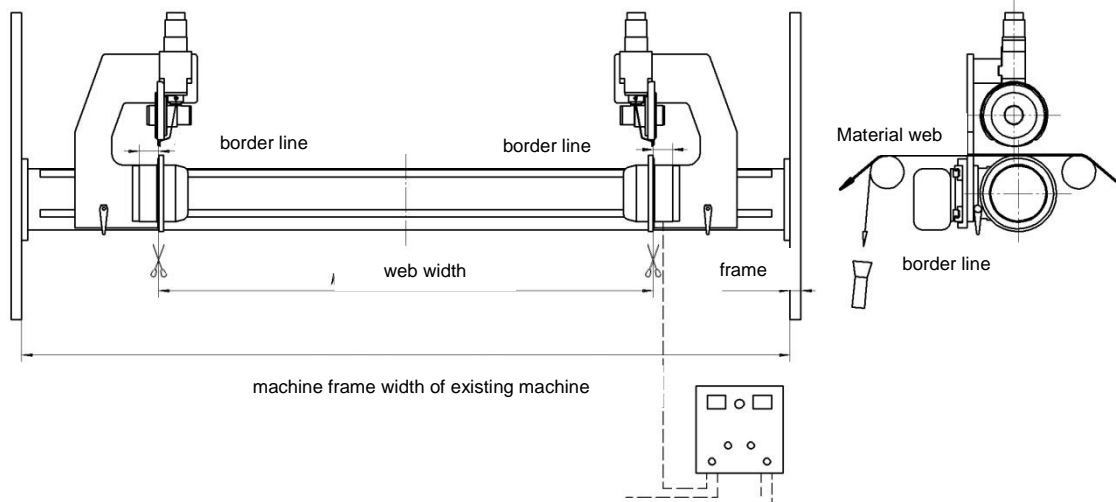
ENQUIRY FORM TRIMMING STATION



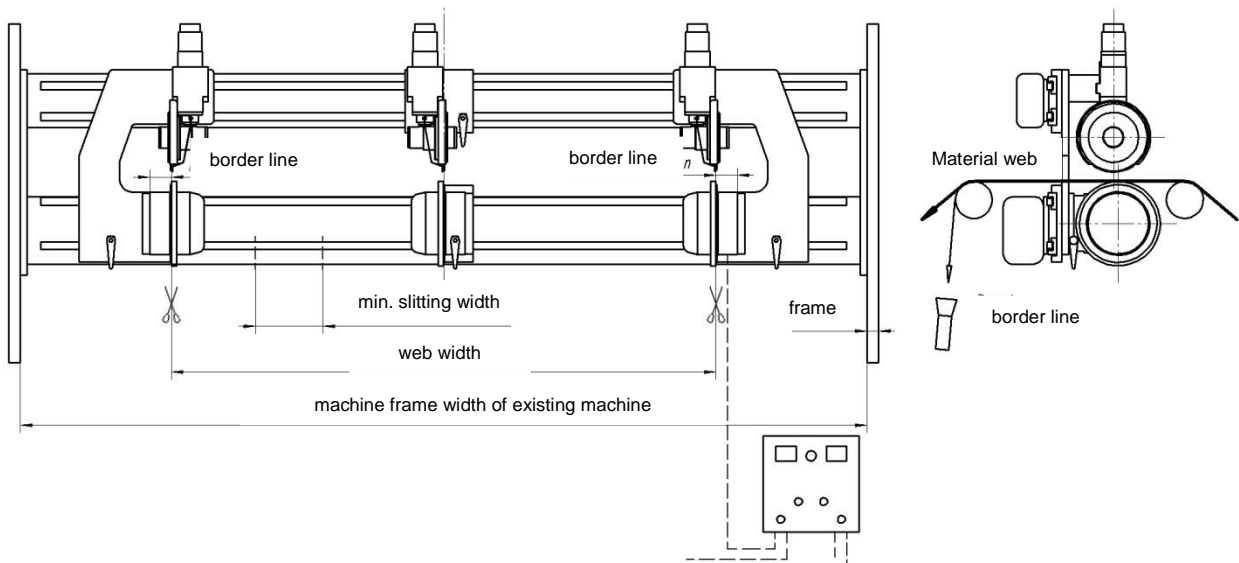
Information on existing machine:

Make:	
Type:	

Type of design (please tick):



Option A: trimming station



Option B: trimming station with centre cut

