

Information on existing machine:

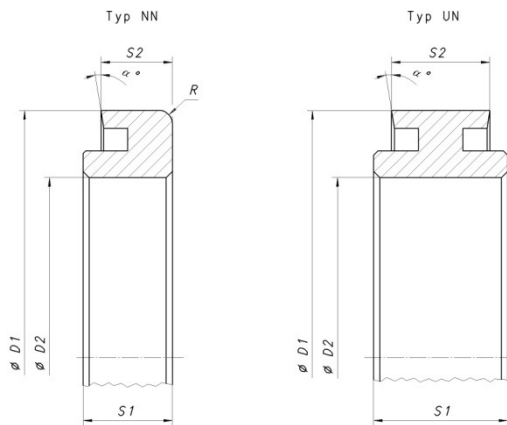
Make:	
Type:	

Type of design (please tick):

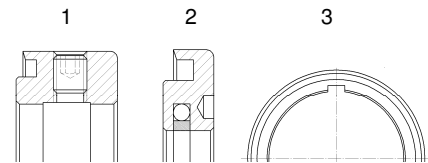
DIENES article number (if available):	
Needed Quantity:	

Grooved knife

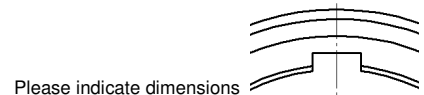
Type	
D1	
D2	
S1	
S2	
α	
R	



Fixing



- 1. by screw or „multilocking“
- 2. by eccentric ring
- 3. with groove

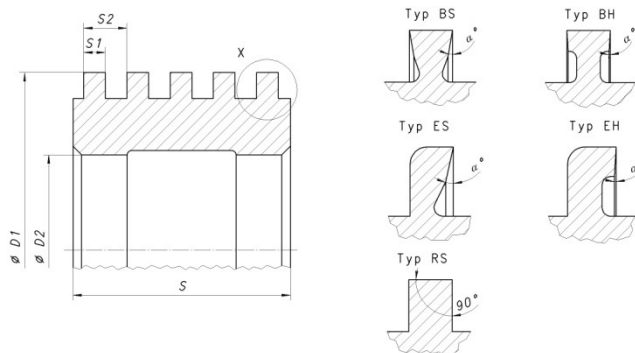


- 4. without groove (plain bore)

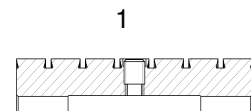
Your sketch

Multiple knife block

Type	
D1	
D2	
S	
S1	
S2	
α	



Fixing



- 1. by screw
- 2. without fixing (plain bore)

Information on knife material:

<input type="checkbox"/> Chrome Steel (1,5%)	<input type="checkbox"/> Chrome Steel (12%)	<input type="checkbox"/> DPM 23	<input type="checkbox"/> Tungsten Carbide (tipped)
--	---	---------------------------------	--

Information on material to be cut:

<input type="checkbox"/> Paper	<input type="checkbox"/> Cardboard	<input type="checkbox"/> Aluminium	<input type="checkbox"/> Non-Woven	<input type="checkbox"/> Plastics
<input type="checkbox"/> Film / Foil		<input type="checkbox"/> Other:		