

**Information on existing machine:**

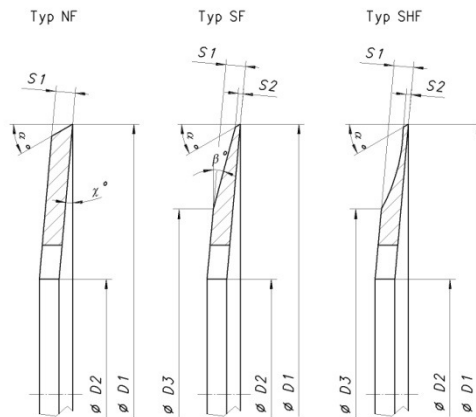
Make:	
Type:	

**Type of design (please tick):**

DIENES article number (if available):	
Needed Quantity:	

**Dished knife**

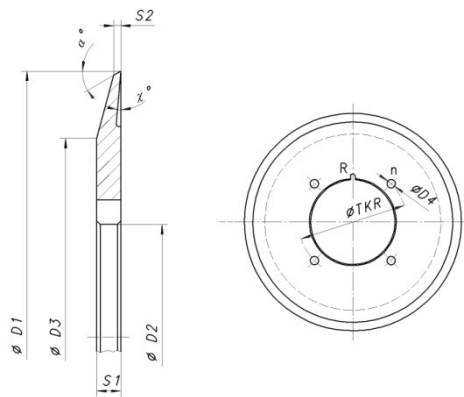
D1	
D2	
D3	
S1	
S2	
$\alpha$	
$\beta$	
$\gamma$	



Your sketch

**Top knife (flat)**

D1	
D2	
D3	
D4	
S1	
S2	
$\alpha$	
$\gamma$	
TKR	
Anzahl Löcher = n	
R	



Your sketch

**Information on knife material:**

<input type="checkbox"/> Chrome Steel (1,5%)	<input type="checkbox"/> Chrome Steel (12%)	<input type="checkbox"/> DPM 23	<input type="checkbox"/> HSS
Surface:	<input type="checkbox"/> Standard	<input type="checkbox"/> Special	<input type="checkbox"/> Other:

**Information on material to be cut:**

<input type="checkbox"/> Paper	<input type="checkbox"/> Cardboard	<input type="checkbox"/> Aluminium	<input type="checkbox"/> Non-Woven	<input type="checkbox"/> Plastics
<input type="checkbox"/> Film / Foil	<input type="checkbox"/> Other:			